

LGT8F328P Arduino Clone Chip ATmega328P

HINT ! <https://github.com/RalphBacon/LGT8F328P-Arduino-Clone-Chip-ATmega328P>

1 Download the LogicGreen zipped resources here
https://github.com/LGTMCU/Larduino_HSP
 There's a copy of this zipped folder right here on my GitHub

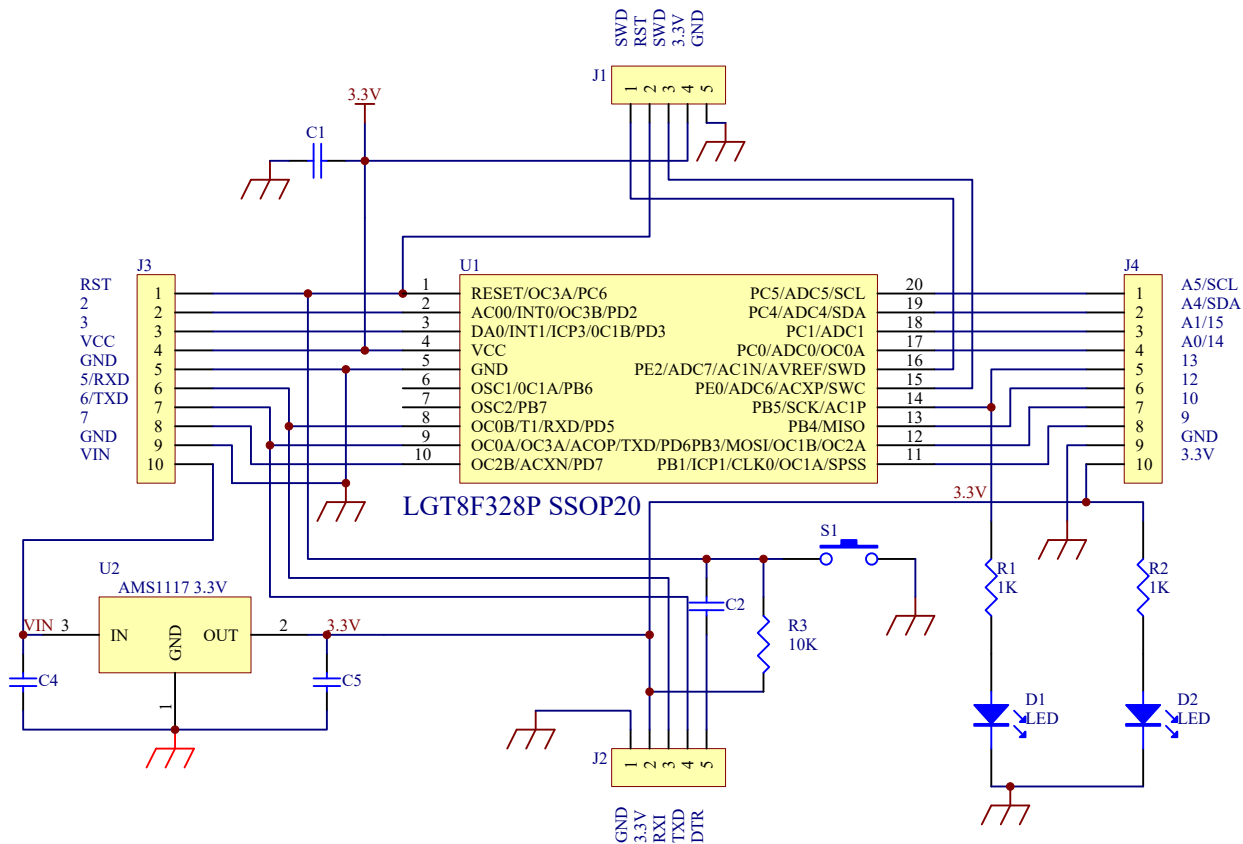
2 Extract the download (unzip it)
 and move the unzipped LGT/avr folder to under the hardware folder in
 your Arduino sketch folder.

If you do not have a hardware folder in your Arduino Sketches folder,
 just create one.

3 Replace the boards.txt

In the Hardware -> LGT -> AVR folder delete the boards.txt.

Then copy the boards.txt in this GitHub there in place of the one you just
 deleted.



<http://7777777777.net/manual>

LGT8F328PSSOP20 miniEVb 3.3V 2020/10/03
 BAITE BET17-15

合資会社 エフイーエル

Size
A4

FCSM No.

DWG No.

Rev
1.0

Copyright 2020 FAL Corporation.

Scale

Sheet
0 of 0